

ClearOne®

VERSA PRO CT
Professional AV Solution for Huddle Rooms
Quick-Start Guide





CONTENTS

CONTENTS	4
IMPORTANT SAFETY INFORMATION.....	3
INTRODUCTION	5
VERSA PRO CT	5
OPERATING REQUIREMENTS	5
Power	5
Environmental.....	5
SYSTEM REQUIREMENTS.....	6
Supported Operating Systems	6
Minimum System Requirements	6
UNPACKING	7
CONVERGE® Huddle CTH.....	7
BMA CTH.....	8
MOUNTING.....	9
CONVERGE® Huddle CTH.....	9
BMA CTH.....	10
CONTROLS AND CONNECTIONS	11
CONVERGE® Huddle CTH Front Panel.....	11
CONVERGE® Huddle CTH Rear Panel.....	13
BMA CTH.....	14
CONNECTING THE BMA CTH TO THE CONVERGE® HUDDLE CTH.....	14
CONFIGURING THE BMA CTH USING THE CONVERGE® HUDDLE CTH.....	15
CONNECTING A CLEARONE BLUETOOTH MODULE.....	16
BLUETOOTH PAIRING.....	16
COMPLIANCE	17
ClearOne Contacts	17

IMPORTANT SAFETY INFORMATION

1. Read and follow all instructions.
2. Keep these instructions.
3. Do not use these devices near water.
4. Clean only with dry cloth.
5. Do not block any ventilation openings. Install in accordance with manufacturer instructions.
6. Do not install near any heat sources such as radiators, heat registers, stoves, or other apparatus (including amplifiers) that produce heat.
7. Do not defeat the safety purpose of the polarized or grounding-type plug. A polarized plug has two blades with one wider than the other. A grounding type plug has two blades and a third grounding prong. The wide blade or the third prong are provided for your safety. If the provided plug does not fit into your outlet, consult an electrician for replacement of the obsolete outlet.
8. Protect the PoE injector's power cord from being walked on or pinched particularly at plugs, convenience receptacles, and the point where they exit from the apparatus.
9. Only use attachments/accessories specified by the manufacturer.
10. When a cart is used, use caution when moving the cart/apparatus combination to avoid injury from tip-over.
11. Unplug this apparatus during lightning storms or when unused for long periods of time.
12. Refer all servicing to qualified service personnel. Servicing is required when the apparatus has been damaged in any way, such as power-supply cord or plug is damaged, liquid has been spilled or objects have fallen into the apparatus, the apparatus has been exposed to rain or moisture, does not operate normally, or has been dropped.
13. Disconnect the apparatus from the AC mains with the mains plug. This plug shall remain readily operable.
14. Never push objects of any kind into this product through cabinet slots as they may touch dangerous voltage points or short out parts that could result in fire or electric shock.
15. This product can interfere with electrical equipment such as tape recorders, TV sets, radios, computers and microwave ovens if placed in close proximity.
16. Class 2 Wiring IS REQUIRED. Only qualified personnel should wire and install.
17. Underwriters Laboratories (UL) requires these safety notifications:

WARNING:
TO PREVENT
FIRE OR
ELECTRICAL
SHOCK
HAZARD, DO
NOT
EXPOSE
THIS
PRODUCT
TO RAIN OR
MOISTURE.

 <p>THE LIGHTNING FLASH AND ARROWHEAD WITHIN THE TRIANGLE IS A WARNING SIGN ALERTING YOU OF DANGEROUS VOLTAGE INSIDE THE PRODUCT.</p>	<p style="text-align: center;">CAUTION</p> <p style="text-align: center;">RISK OF ELECTRIC SHOCK DO NOT OPEN AVIS RISQUE DU CHOC ELECTRIQUE – NE PAS OUVRIR</p> <p>CAUTION: TO REDUCE THE RISK OF ELECTRIC SHOCK, DO NOT REMOVE COVER (OR BACK) NO USER SERVICEABLE PARTS INSIDE. REFER SERVICING TO QUALIFIED SERVICE PERSONNEL.</p>	 <p>THE EXCLAMATION POINT WITHIN THE TRIANGLE IS A WARNING SIGN ALERTING YOU OF IMPORTANT INSTRUCTIONS ACCOMPANYING THE PRODUCT.</p>
<p>SEE MARKING ON BOTTOM/BACK OF PRODUCT</p>		



Use only in non-tropical locations.



Use only at altitudes of 2000 meters or less.

INTRODUCTION

VERSA PRO CT

The VERSA PRO CT consists of two products: the CONVERGE® Huddle CTH and the Beamforming Microphone Array CTH.

The CONVERGE® Huddle CTH is a professional audio DSP mixer that addresses today's AV needs in huddle rooms and similarly sized meeting spaces. Audio and video collaboration applications can be accomplished through a single cable connection to users' Bring Your Own Devices (BYOD), such as laptops, tablets, and smartphones that run applications such as Microsoft Teams®, Spontania®, Skype®, Skype for Business, etc.

The BMA CTH is a 2nd-generation solution for ceiling-tile installation. It features 24 microphones with beamforming and adaptive-steering technology (think of it as smart beam selection). It is compatible with the CONVERGE Huddle CTH.

OPERATING REQUIREMENTS

Power

- Two (2) 56V 640mA ClearOne PoE Power Injector (Part No. 910-3200-202)—one each for the CONVERGE® Huddle CTH and the BMA CTH
- PoE Ethernet Network Switch IEEE 802.3at, Mode A or B

Environmental

Ambient operating temperatures from 14° F (-10° C) to 104° F (40° C)

SYSTEM REQUIREMENTS

Supported Operating Systems

- Windows 7
- Windows 8
- Windows 10

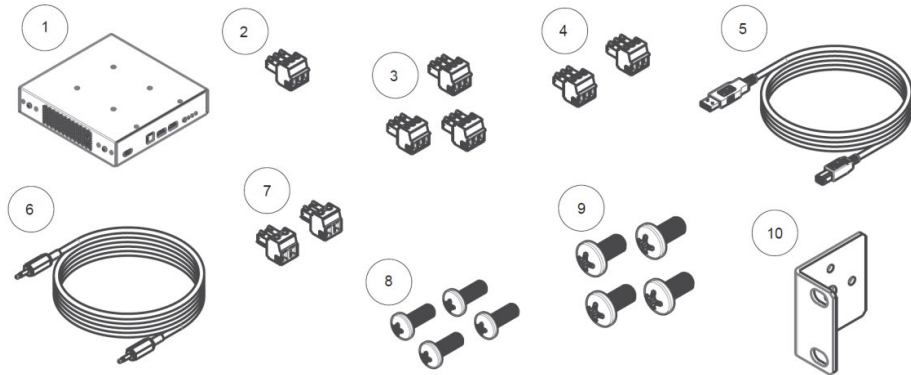
Minimum System Requirements

- Intel or AMD 6 with 1GHz or higher recommended
- 2GB RAM (or higher recommended)
- 500MB hard disk space (additional space is required to store site files and other project files)
- Ethernet Network Interface to connect a computer with the CONVERGE® Huddle CTH
- Administrator permission to install and run the software

UNPACKING

Verify that you have received the following components. Inspect your shipment carefully. If the shipment shows obvious signs of damage, retain original boxes and packing material for inspection by the carrier, and contact them immediately. ClearOne is not responsible for product damage incurred during shipment.

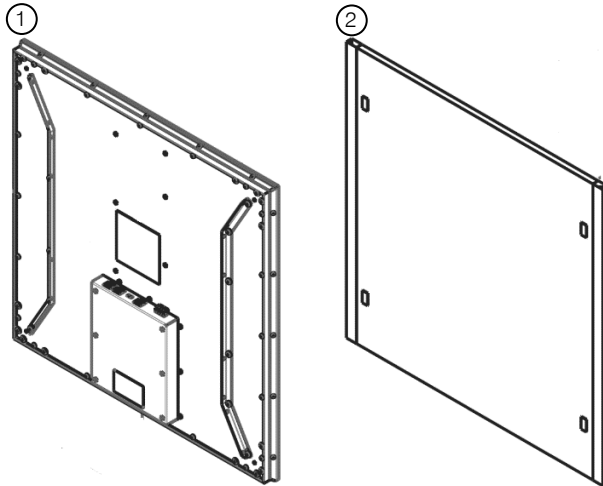
CONVERGE® Huddle CTH



Item No.	Description	Quantity
1	CONVERGE® Huddle CTH	1
2	3.50mm terminal block connector, 3 pos (green)	1
3	3.50mm terminal block connector, 3 pos (orange)	3
4	3.50mm terminal block connector, 3 pos (black)	2
5	USB 3.0 type A male to type B male 6' cable (black)	1
6	TRRS 3.5mm male to male 6' cable (black)	1
7	Connector, mini COMBICON plug, 2 positions, 5.08mm RA (black)	2
8	M3 X 8mm, plain Phillips pan-head screw	4
9	M4 X 8mm, Phillips pan-head screw	4
10	Mounting ears	2
11	CONVERGE® Huddle CTH quick-start guide (not shown)	1

VERSA PRO CT

BMA CTH



Item No.	Description	Quantity
1	BMA CTH	1
2	Plenum shield	1
3	Phoenix Connectors (not shown)	2

MOUNTING

CONVERGE® Huddle CTH

Your CONVERGE® Huddle CTH product comes with mounting ears. The ears fit a rack mounting kit that can be used to mount 1 to 2 units in a 1RU rack (sold separately from the Huddle CTH).

There are 5 mounting options:

- VESA standard
- Wall mount
- Behind display
- Under the table
- Rack

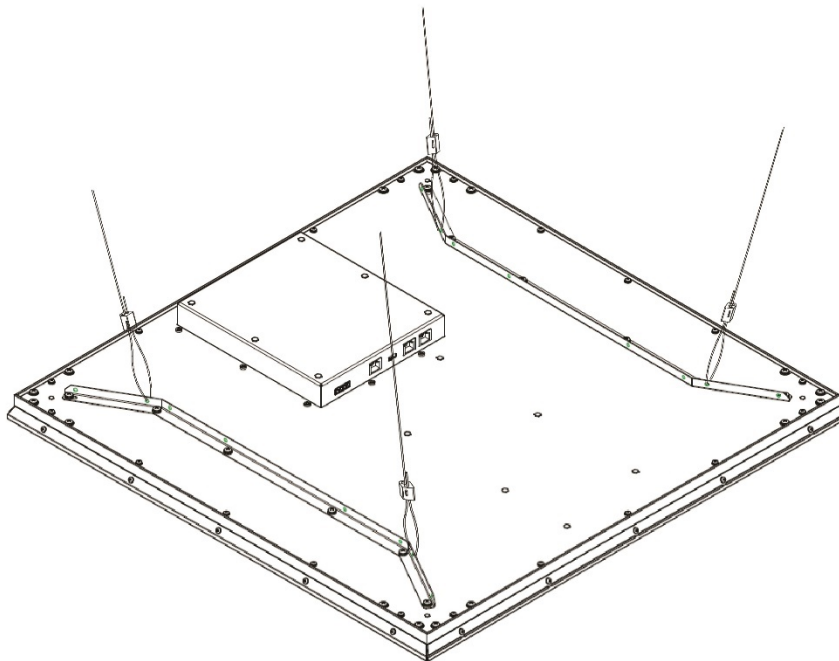
Mount the unit by performing the following steps.

1. Secure the mounting ears to two posts or mounting strips in the rack using the four screws provided.
2. Because the mounting ears support the weight of the chassis, use all four screws to fasten the two rack-mount brackets to the rack posts.

BMA CTH

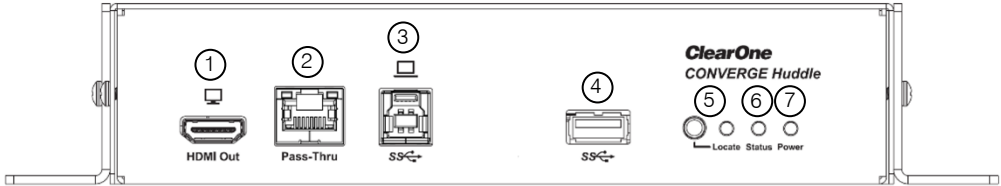
The BMA CTH mounts in a 24" x 24" or 600mm x 600mm ceiling tile space. There is also an adapter that converts the 600mm version to 625mm. There is no mounting hardware provided with the BMA CTH.

The BMA CTH can be ceiling-mounted in a suspended ceiling, held in place by the standard T-BAR grid, with additional 1/8" safety (seismic) cables (not included). Four attachment points are recommended for stability.



CONTROLS AND CONNECTIONS

CONVERGE® Huddle CTH Front Panel

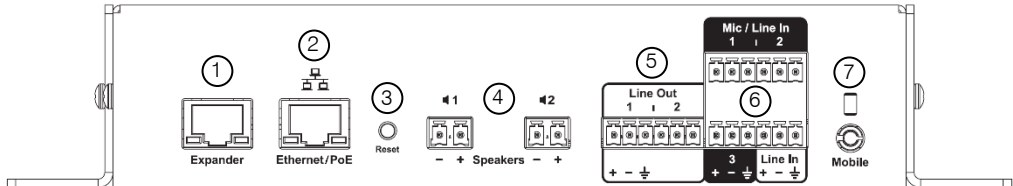


Item No.	Description
1	HDMI Out: Provides connectivity to room display devices (i.e. monitors).
2	LAN Ethernet port: Provides network pass-through to the USB-connected laptop.
3	<p>USB Type B port: Used to configure Versa Pro CT. Also provides connectivity to laptops, Macs, and PCs.</p> <p>NOTE: Machines require DisplayLink driver.</p> <ul style="list-style-type: none"> • Use DisplayLink driver version R7.7M2 and up for Windows and v2.3.0 for MAC. To verify installation: <ul style="list-style-type: none"> ○ In Windows Vista and later, navigate to Control Panel > Add/ Remove Programs --> DisplayLink Core Software. To view software version, select the program and click "Click here for support information." ○ In MAC OS, navigate to the DisplayLink driver by selecting About this Mac menu > More Info... > Contents > Software > Extensions, then scroll to locate the DisplayLink driver information. ○ For more detail, go to: https://support.displaylink.com/knowledgebase/articles/533875-how-to-identify-the-displaylink-software-version-i. • Windows should install and update the driver automatically. For manual installation on PC or MAC, download the latest DisplayLink driver at: http://www.displaylink.com/downloads.
4	USB Type A port: Provides connectivity to cameras and other USB devices.

VERSA PRO CT

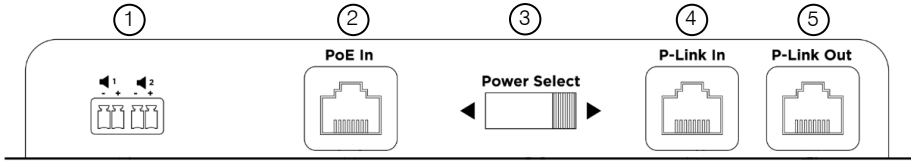
5	<p>Locate button: Indicates or highlights a device in Pro Console. Shows model number, unit name, and IP address.</p> <p>Locate LED: Blinking blue indicates that the “Locate” command has been received.</p>
6	<p>Status LED:</p> <ul style="list-style-type: none">• Off (no light): unit still initializing• Fast blinking blue: stack syncing in progress• Slow blinking blue: unit not configured• Solid blue: configured unit• Fast blinking red: Stack sync error
7	<p>Power LED: solid blue indicates the unit is powered on.</p>

CONVERGE® Huddle CTH Rear Panel



Item No.	Description
1	P-Link Expander port: provides connectivity to any ClearOne products with P-Link technology.
2	<p>Ethernet/PoE port: A RJ-45 10/100Mbps Ethernet PoE port that connects to the ClearOne PoE power injector, or PoE Ethernet network switch for power, monitoring, and/or configuration.</p> <p>WARNING: Power over Ethernet (PoE) equipment used with CONVERGE® Huddle CTH must meet the IEEE 802.3af or 802.3at standards. A 56V 640mA ClearOne PoE Power Injector (Part No. 910-3200-202) should be used. Power sourcing equipment complying with these standards follow a procedure for negotiating whether power should be supplied. Non-compliant power sourcing equipment may apply power immediately and could damage the CONVERGE® Huddle CTH.</p> <p>Also, ensure that the PoE is connected as the last step, after plugging in all other cables during initial installation of the CONVERGE® Huddle CTH.</p>
3	Factory reset button: Restores the Huddle CTH to factory defaults. Press continually for approximately 10 second or until you see the status and locate LEDs alternating on/off.
4	2-channel speaker posts: Two Phoenix Euroblock connectors used to connect an external speaker.
5	Amplifier line outputs: Mini-terminal push-on connector for line-level outputs.
6	Mic/line inputs: Mini-terminal push-on block connector for any combination of microphone and/or line level inputs. Three mic/line in channels support AEC. One does not support AEC.
7	3.5mm audio: One 3.5mm TRRS connector that connects to a phone or tablet for audio.

BMA CTH



Item No.	Description
1	Speakers Out: Two Phoenix Euroblock connectors used to connect 2 external speakers.
2	<p>PoE In: Connects PoE Injector to provide power to the BMA CTH.</p> <p>WARNING: Power over Ethernet (PoE) equipment used with CONVERGE® Huddle CTH must meet the IEEE 802.3af or 802.3at standards. A 56V 640mA ClearOne PoE Power Injector (Part No. 910-3200-202) should be used. Power sourcing equipment complying with these standards follow a procedure for negotiating whether power should be supplied. Non-compliant power sourcing equipment may apply power immediately and could damage the CONVERGE® Huddle CTH.</p> <p>Also, ensure that the PoE is connected as the last step, after plugging in all other cables during initial installation of the BMA CTH.</p>
3	Power Select: Determines power source—either PoE In or P-Link In
4	P-Link In: provides power, audio, and control for peripheral devices.
5	P-Link Out: connects to another P-Link device that requires power. Users can chain one BMA CTH to a BT EX.

CONNECTING THE BMA CTH TO THE CONVERGE® HUDDLE CTH

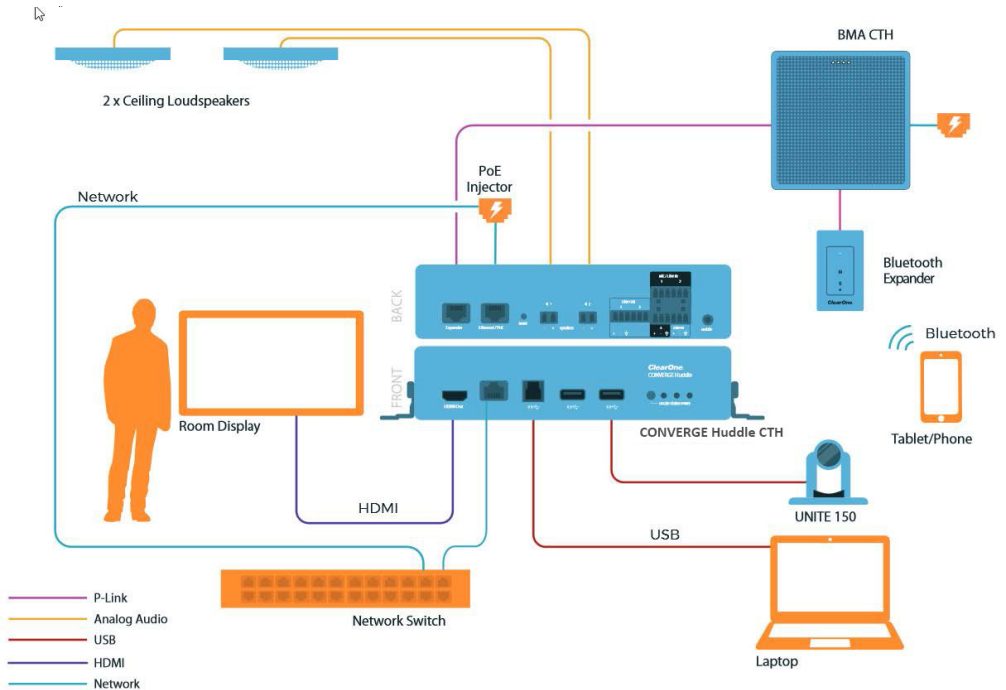
In order to use the BMA CTH, you must connect it to the CONVERGE® Huddle CTH. To do so, perform the following steps.

1. If you haven't done so already, remove your BMA CTH from its packaging.
2. Install the BMA CTH in the required location.
3. Connect the BMA CTH to the CONVERGE® Huddle CTH.
4. Using Pro Console, configure the BMA CTH as required.

CONFIGURING THE BMA CTH USING THE CONVERGE® HUDDLE CTH

The unit comes with default configuration for plug-and-play operation; however, Pro CONSOLE software can be used to configure CONVERGE® Huddle CTH units. Configuration instructions for the BMA CTH can be found in the user manual, located at www.clearone.com.

The default BMA CTH matrix is defined below.



CONNECTING A CLEARONE BLUETOOTH MODULE

The BT EX (ordered separately) connects to the CONVERGE® Huddle CTH by connecting to the P-Link Out on the BMA CTH.

1. Connect a RJ-45 cable to the back side of the BT EX.
2. Connect the other end of the RJ-45 cable into the P-Link Out on the BMA CTH.

BLUETOOTH PAIRING

In devices that have near-field communication (NFC) capabilities, tap the BT EX face plate with the NFC-capable device. This initiates a pairing between the device and the BT EX.

To pair a non-NFC device, perform the following steps.

1. Push the reset/pairing button on the front of the BT EX face plate.
2. In your Bluetooth-enabled device, navigate to your Bluetooth settings (e.g. for iOS users, Settings > Bluetooth).
3. Select "ClearOne Bluetooth XXXX" (XXXX indicates the last 4 digits of the MAC address).

When a device is paired, a short beep plays followed by a higher frequency beep.

When a device is unpaired, a short beep plays followed by a lower frequency beep.

COMPLIANCE

Details on compliance for the CONVERGE® Huddle CTH and the BMA CTH can be found on the ClearOne website under “Resource Library.”

ClearOne Contacts

Headquarters

5225 Wiley Post Way
Suite 500
Salt Lake City, UT 84116

US & Canada

Tel: 801.975.7200
Fax: 801.303.5711

International

Tel: 801.974.3621
e-mail:
global@clearone.com

Sales

Tel: 801.975.7200
e-mail: sales@clearone.com

Tech Support

Tel: 801.974.3760
e-mail:
tech.support@clearone.com