

Large Classroom

Design Guide

DOC-0553-001 REV 1.2 – May 11, 2022

Room Application

Large classroom area where the instructor audio needs to be locally amplified.

Included Interfaces

BYOD, VoIP, Telco, Wireless Presentation.

Primary Equipment

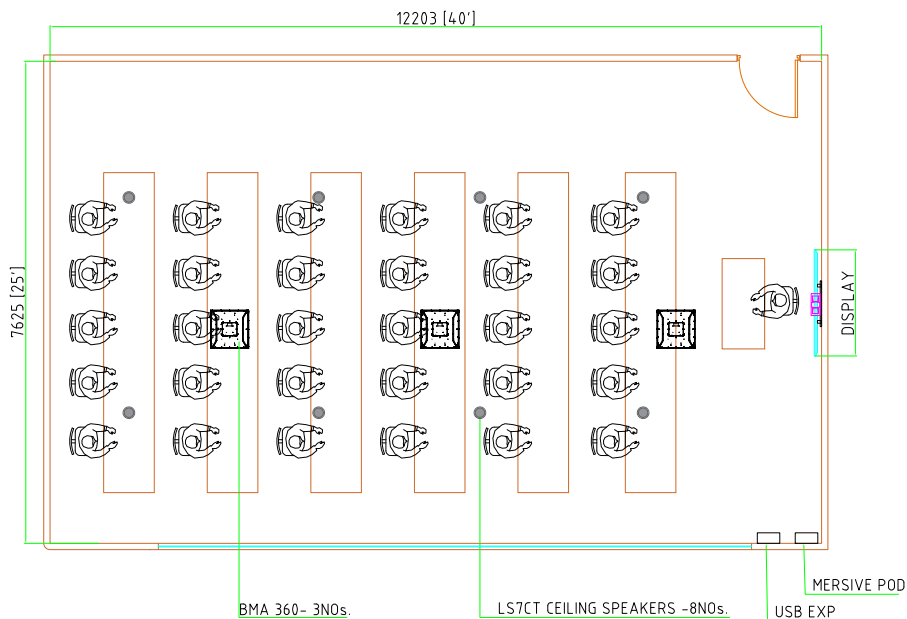
- BMA 360
- Mersive

Software/Firmware revisions utilized

- Console AI Version: 7.5.4.1
- DSP Version: 8.5.15.0
- BMA360 Version: 1.0.6.10



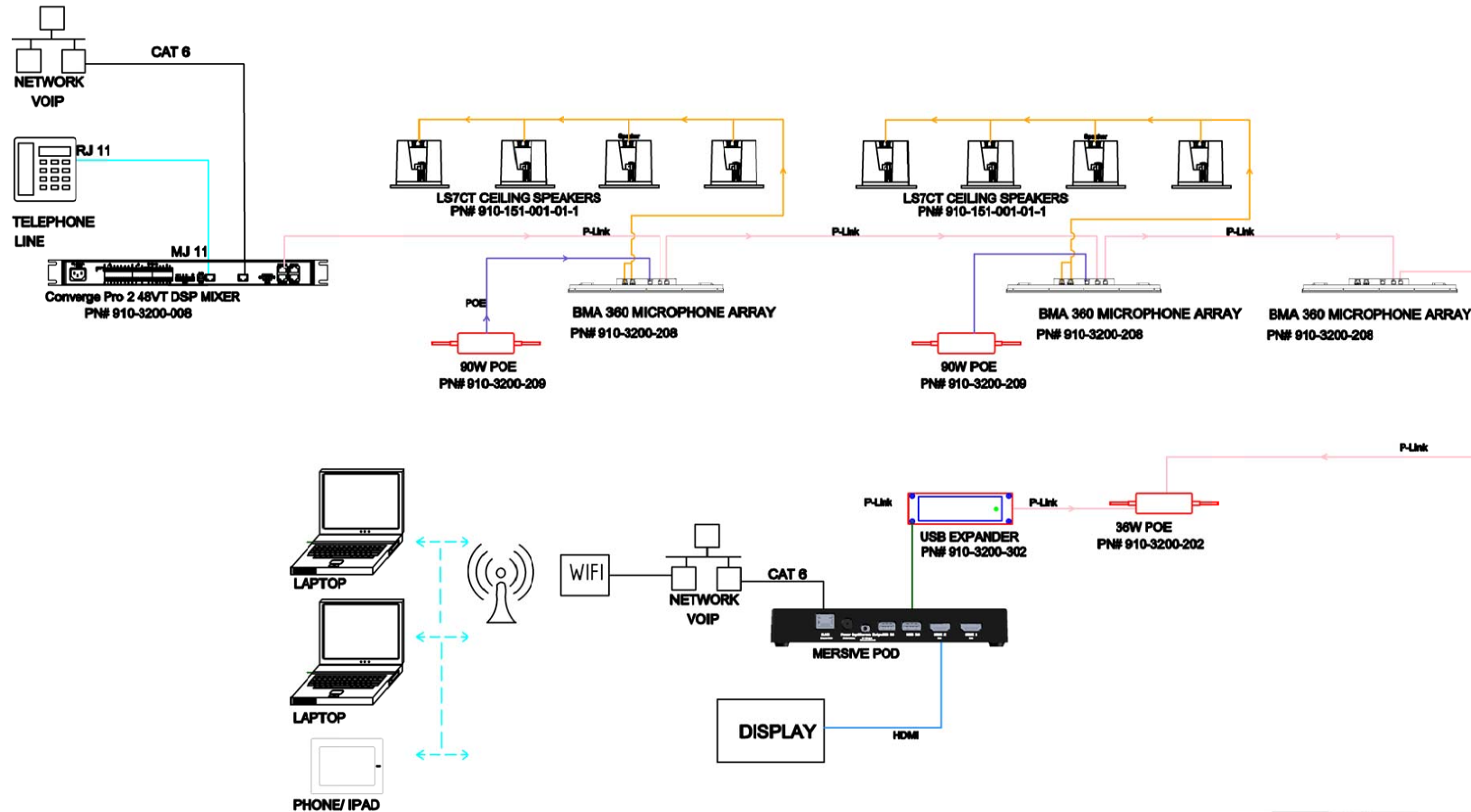
Room Illustrations



Room Description

Excellent BMA 360 focused system design for hands free microphone pickup, Instructor voice lift and room speaker amplification in classrooms of up to 50 students.

Wiring Diagram



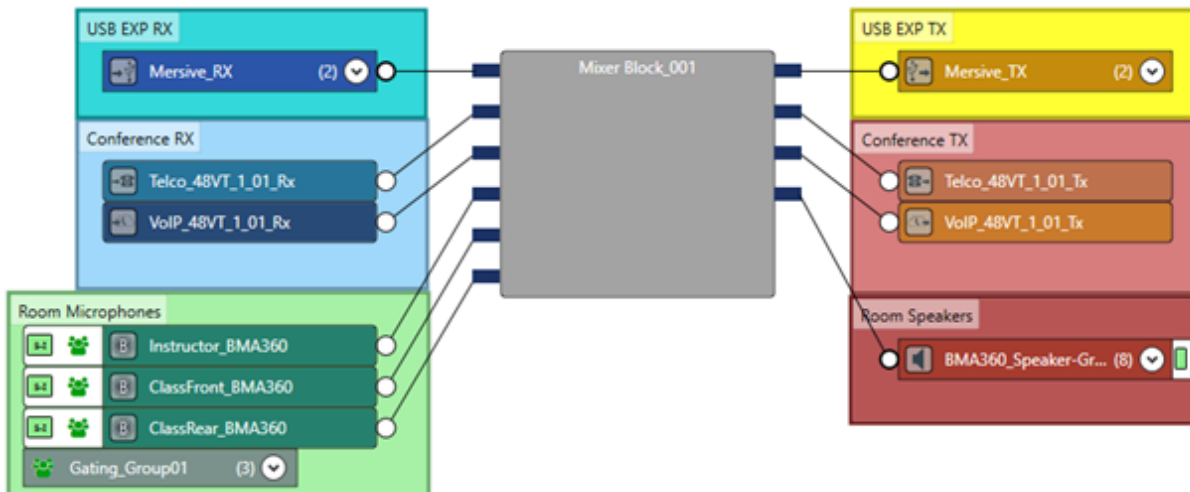
NOTE: ANY INDIVIDUAL P-LINK MUST NOT EXCEED 200 FEET / 61 METER IN LENGTH

LEGEND	
	SPEAKER (18 AWG Wire)
	POE
	USB
	HDMI
	P-LINK (CAT 6)
	NETWORK (CAT 6)
	WIRELESS

Equipment list:

Qty	Part Number	Product Name	Description
1	910-3200-008	CONVERGE® Pro 2 48VT	DSP Mixer with 4 Mic/Line AEC Inputs, 8 Mic/Line Outputs, USB Audio, VoIP, Telephone Interface, 2 x 10 Watt Power Amplifier
2	910-3200-209	90W PoE++ power supply kit for BMA	Includes 1 x 90 Watt PoE++ Injector, 2 x 25 ft CAT6 cables
1	910-3200-202	36W PoE++ power supply kit for BMA	Includes 1 x 36 Watt PoE+ Injector, 2 x 25 ft CAT6 cables
3	910-3200-208	BMA 360 24 Inch	BMA with 4 x 15 Watt Power Amplifiers. PoE Injector and CAT6 cables not included. 910-3200-208-I 600 mm model also available.
1	910-3200-302	USB Expander for CONVERGE® Pro 2	Includes 6 ft USB cable
4	910-151-001-01-1	Ceiling Speakers	Includes 2 x LS7CT ceiling speakers with 8 ohm and 70V/100V transformer taps and ceiling tile bridges.

FlowView™ Diagram



Included Macros

- Microphone_Mute : Mutes all room BMA 360 Microphones.
- Microphone_Unmute : Unmutes all room BMA 360 Microphones.
- Room_SPKR_Mute : Mutes all room speaker channels.
- Room_SPKR_Unmute : Unmutes all room speaker channels.
- Room_VOL_DN : Decreases the room speaker volume by 3 dB per execution.
- Room_VOL_UP : Increases the room speaker volume by 3 dB per execution.
- Presenter_Mode : Limits student area pickup and accentuates Presenter audio.
- QA_Mode : Opens all student and presenter microphone channels for transmission.

* Macros can be executed via Telnet or serial communications.
Refer to the Converge Pro 2 Serial Command Reference Manual for details.

Download the Large Classroom Room files: [HERE](#)

SALES AND INQUIRIES

Headquarters

5225 Wiley Post Way Suite 500
Salt Lake City, UT 84116

Headquarters

Main: +1.801.975.7200

Sales

Tel: +1.801.975.7200
sales@clearone.com

Tech Support

Tel: +1.801.974.3760
audiotechsupport@clearone.com